

PRODUCT INFORMATION PACKET

Model No: 056T17F5330

Catalog No: K806

2 HP General Purpose Motor, 3 phase, 1800 RPM, 208-230/460 V, 56HC Frame, TEFC
Three Phase TEFC Motors



Nameplate Specifications

Output HP	2 Hp	Output KW	1.5 kW
Frequency	60 Hz	Voltage	208-230/460 V
Current	6.0-5.8/2.9 A	Speed	1725 rpm
Service Factor	1.15	Phase	3
Efficiency	82.5 %	Power Factor	78.6
Duty	Continuous	Insulation Class	B
Design Code	B	KVA Code	L
Frame	56HC	Enclosure	Totally Enclosed Fan Cooled
Thermal Protection	No	Ambient Temperature	40 °C
Drive End Bearing Size	6205	Opp Drive End Bearing Size	6203
UL	Recognized	CSA	Y
CE	Y	IP Code	43

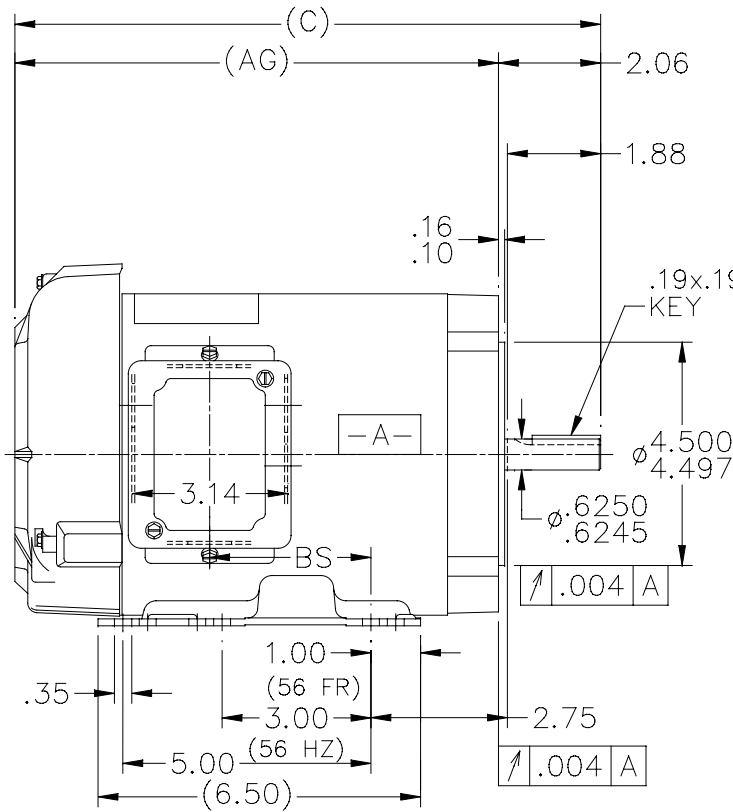
Technical Specifications

Electrical Type	Squirrel Cage Induction Run	Starting Method	Across The Line
Poles	4	Rotation	Reversible
Resistance Main	8.8 Ohms	Mounting	Rigid Base
Motor Orientation	Horizontal	Drive End Bearing	Ball
Opp Drive End Bearing	Ball	Frame Material	Rolled Steel
Shaft Type	NEMA 56	Overall Length	13.82 in
Frame Length	8.56 in	Shaft Diameter	0.625 in
Shaft Extension	1.88 in	Assembly/Box Mounting	F1 ONLY

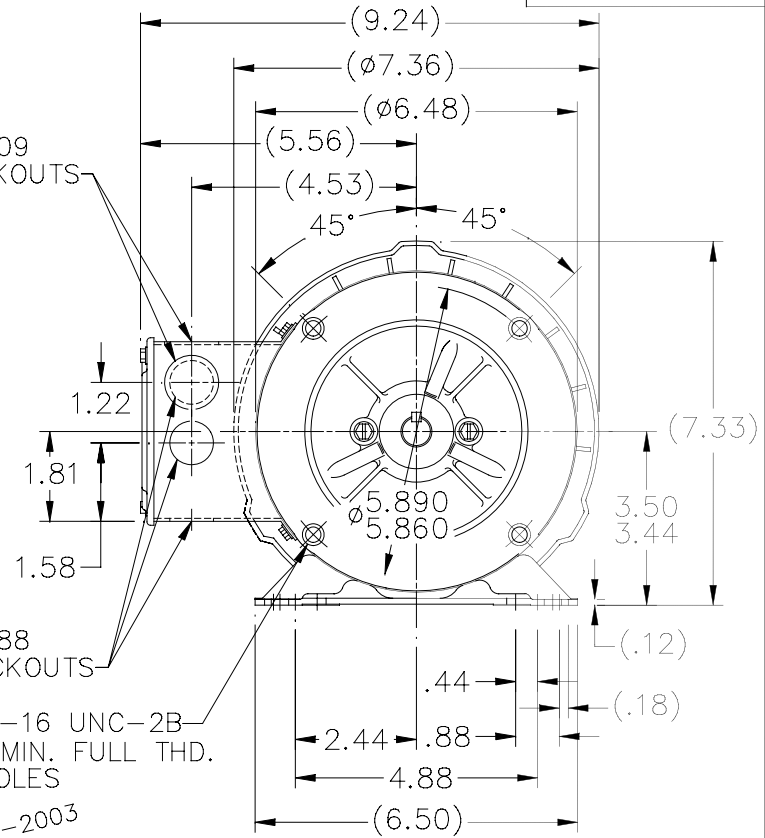
This is an uncontrolled document once printed or downloaded and is subject to change without notice. Date Created:01/11/2019

100109

TERM. END



2- ϕ 1.09
KNOCKOUTS



NOTES:
1. CONDUIT BOX CAN BE ROTATED 180°
2. NAMEPLATE READ FROM CONDUIT BOX SIDE OF MOTOR.

DASH	FR.	C	AG	BS	DASH	FR.	C	AG	BS
656	56-65	11.82	9.75	3.25	906	56-90	14.32	12.25	5.75
706	56-70	12.32	10.25	3.75	956	56-95	14.82	12.75	6.25
756	56-85	12.82	10.75	4.25					
856	56-85	13.82	11.75	5.25					

11-20-2003

		TOLERANCES UNLESS SPECIFIED		DRAWN MRB 03-27-1998				
		DEC.	INCHES	CHK	ML 04-01-1998			
		.X	±.1	APPD	GK 04-01-1998			
5	ADDED DASH # 756 PER ECO-0045171	UD	02/11/14	PI	.XX ±.03	TITLE OUTLINE	SCALE 5=16	
4	AD'D NAMEPLATE LOC. CN 27400-296	BLR	08-05-1999		.XXX ±.005	56 FR. - TEFC - 3 - 'C' FACE	REF	
3	REDRAWN ON CADD - NO CHANGE	MRB	04-01-1998		.XXXX ±.0005	MAT'L.	FMF	
NO.	REVISION	BY & DATE	CHK	ANG	±'30"	FINISH	PREV	
THIS DRAWING IN DESIGN AND DETAIL IS OUR PROPERTY AND MUST NOT BE USED EXCEPT IN CONNECTION WITH OUR WORK ALL RIGHTS OF DESIGN AND INVENTION ARE RESERVED THIS IS AN ELECTRONICALLY GENERATED DOCUMENT - DO NOT SCALE THIS PRINT		RFP	CAD FILE 100109	SIZE	DRAWING NO.	PAGE	OF	REV.
		DIST		A	100109			5

REGAL™ Regal Beloit America, Inc.

EE7308

THREE PHASE
DUAL VOLTAGE MOTOR



VIEW OF TERMINAL END

REF.
WINDING DIAGRAM

T8Y, T2Y, T2BL, T4BX, T2EC, T2G
T6BZ, T2B, T6BL, T4AV, T6B, T4B

OPTIONAL CORD
CONNECTION

L1 — WHITE
L2 — RED
L3 — BLACK

NO.	REVISION	BY & DATE	CHK	ANG	TOLERANCES UNLESS SPECIFIED		FINISH	DRAWN RM 11/20/1990				
					DEC.	INCHES						
5	CHG TO REGAL LOGO	SL 09/10/2015	AB					CHK ML 11/21/1990				
4	REVISED IEC NOTATIONS	MSG 11/15/2011	CMN	.X	±.1			APPD SAS 04/24/2003				
3	ADDED IEC NOTATIONS... (U1), (V1) ETC. MU95194	MSG 5/10/2010	MJS	.XX	±.02		TITLE CONNECTION DIAGRAM	SCALE 1=1				
2	ADDED THE OPTIONAL CORD CONNECTION MU46318	RDH 04/24/2003	DRS	.XXX	±.005		3Ø - DUAL VOLTAGE MOTOR	REF				
1	REDRAWN	RM 11/20/1990		.XXXX	±.0005		MAT'L.	FMF				
					±7'30"			PREV				
THIS DRAWING IN DESIGN AND DETAIL IS OUR PROPERTY AND MUST NOT BE USED EXCEPT IN CONNECTION WITH OUR WORK ALL RIGHTS OF DESIGN AND INVENTION ARE RESERVED THIS IS AN ELECTRONICALLY GENERATED DOCUMENT - DO NOT SCALE THIS PRINT							RFP	CAD FILE ee7308	SIZE A	DRAWING NO. EE7308	PAGE OF 5	REV. 5
							DIST WP					

